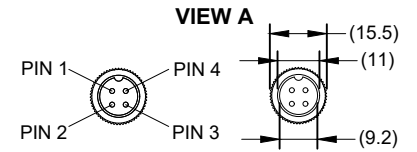
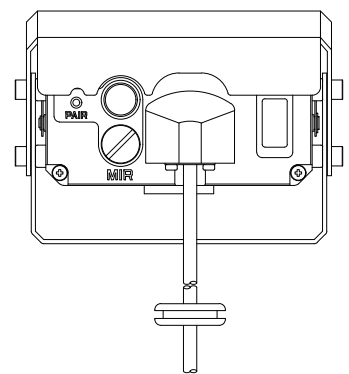
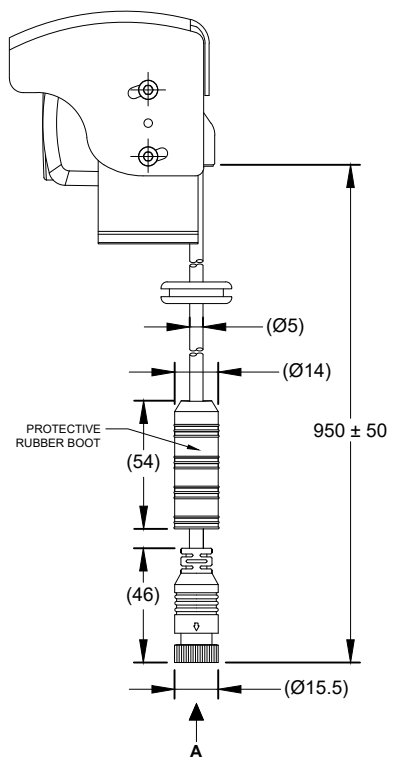
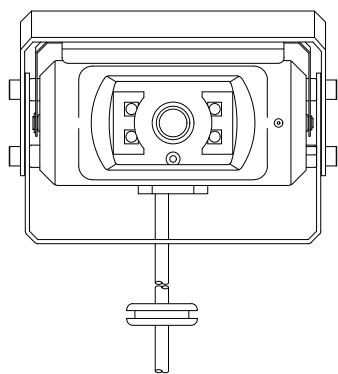
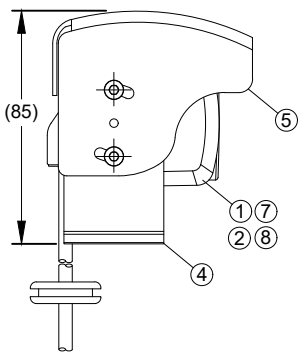
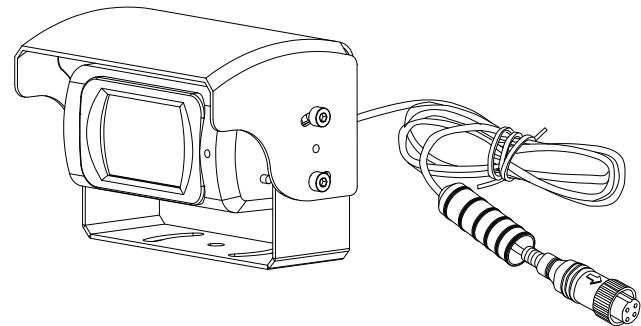
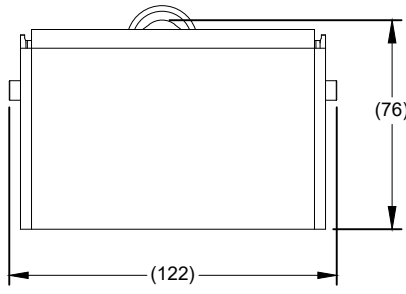


TABLE 1: VBV-71XXC CAMERA KIT OPTIONS		
PART NO.	MODEL NO.	DESCRIPTION
(8034)	VBV-7110C	SELECT AHD CAMERA, AUDIO, 25FPS
(8039)	VBV-7111C	SELECT AHD CAMERA, AUDIO, 30FPS
(8109)	VBV-7110C(W)	SELECT AHD SHUTTER CAMERA, 1080P, 25PS, 160°LENS
(8110)	VBV-7111C(W)	SELECT AHD SHUTTER CAMERA, 1080P, 30PS, 160°LENS

Revision Notes.				
R1 - UPDATED WITH MATRIX TABLE TO ADD VBV-711XC(W) AND CONTENTS TABLE UPDATED INTO NEW FRAME				
APA: T.HU	Drawn:R.TIMMS	Checked:A.KING	Approved:J.N.BATOUR	Date: 4.3.2025
R2 - UPDATED MODEL NUMBERS FOR (W) FROM 8262 AND 8264 TO 8109 AND 8110 AS PER P1659A				
APA: J.LAM	Drawn:R.TIMMS	Checked:A.KING	Approved:J.N.BATOUR	Date: 14.3.2025



**4 PIN FEMALE MATING FACE**

PIN #	WIRE COLOUR	DESCRIPTION
1	RED	+12V
2	BLACK/SHIELD	GND
3	WHITE	AUDIO
4	YELLOW	VIDEO

- NOTES:**
- FOR PACKAGING AND LABELLING DETAIL REFER TO MASTER BOM.
  - ANY CUSTOMER MODIFICATIONS OF THIS PRODUCT CAUSING SUBSEQUENT FAILURE IS NOT A RESPONSIBILITY OF BRIGADE.
  - PURCHASE ORDER TO DEFINE PACKAGING VARIANT.
  - REFER TO PRODUCT SPECIFICATION FOR PRODUCT SPECIFICATIONS.
  - REFER TO COMPONENT DRAWINGS FOR COMPONENT DETAILS.
  - CONNECTOR A IS BLACK.

**PROPRIETARY NOTICE**  
 THIS DESIGN AND TECHNICAL INFORMATION APPEARING ON THIS DRAWING IS THE PROPERTY OF BRIGADE ELECTRONICS, AND IS DISCLOSED IN CONFIDENCE. IT IS NOT TO BE COPIED, REPRODUCED, REVEALED TO OR EXPROPRIATED BY OTHERS, EITHER IN WHOLE OR IN PART WITHOUT THE EXPRESS WRITTEN CONSENT OF BRIGADE ELECTRONICS.

Sheet 1 of 2	Assembly Pl Approval W.XIA (16/07/2024)	Approved by A.KEBEDE	Checked by S.LAWAL	Drawn by J.YU
Customer Approval N/A	Angle of Projection 	Units mm	Scale N/A	Released 23/08/2024
 brigade-electronics.com		Status RELEASED	VBV-711XC	
		Part No VARIOUS	BE-004934-02-24	

Revision Notes.				
R1 - UPDATED WITH MATRIX TABLE TO ADD VBV-711XC(W) AND CONTENTS TABLE UPDATED				
APA: T.HU	Drawn:R.TIMMS	Checked:A.KING	Approved:J N BATOUR	Date: 4.3.2025
R2 - UPDATED MODEL NUMBERS FOR (W) FROM 8262 AND 8264 TO 8109 AND 8110 AS PER P1659A				
APA: J.LAM	Drawn:R.TIMMS	Checked:A.KING	Approved:J N BATOUR	Date: 14.3.2025

TABLE 2: CAMERA KIT CONTENTS

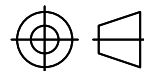
ITEM		①	②	③	④	⑤	⑥	⑦	⑧
PART NO.		8035	8040	8058	3656	3657A	3658	8116	8117
MODEL NO.		VBV-7110C-C	VBV-7111C-C	VBV-711XC(X)-IG	VBV-71XC-BKT	VBV-71XC-SS	VBV-71XC-FIX	VBV-7110C-C(W)	VBV-7111C-C (W)
DESCRIPTION		SELECT AHD SHUTTER CAMERA, AUDIO, 25FPS - CAMERA ONLY	SELECT AHD SHUTTER CAMERA, AUDIO, 30FPS - CAMERA ONLY	VBV-711XC(X) SERIES INSTALLATION GUIDE (NOT SHOWN)	CAMERA BRACKET	CAMERA SUNSHIELD	CAMERA FIXING KIT (NOT SHOWN)	SELECT AHD SHUTTER CAMERA, 1080P, 25PS, 160°LENS CAMERA ONLY	SELECT AHD SHUTTER CAMERA, 1080P, 30PS, 160°LENS CAMERA ONLY
VBV-7110C	QTY.	1	-	1	1	1	1	-	-
VBV-7111C	QTY.	-	1					-	-
VBV-7110C(W)	QTY.	-	-	1	1	1	1	1	-
VBV-7110C(W)	QTY.	-	-					-	1

NOTES:

- FOR PACKAGING AND LABELLING DETAIL REFER TO MASTER BOM.
- ANY CUSTOMER MODIFICATIONS OF THIS PRODUCT CAUSING SUBSEQUENT FAILURE IS NOT A RESPONSIBILITY OF BRIGADE.
- PURCHASE ORDER TO DEFINE PACKAGING VARIANT.
- REFER TO PRODUCT SPECIFICATION FOR PRODUCT SPECIFICATIONS.
- REFER TO COMPONENT DRAWINGS FOR COMPONENT DETAILS.
- CONNECTOR A IS BLACK.

PROPRIETARY NOTICE

THIS DESIGN AND TECHNICAL INFORMATION APPEARING ON THIS DRAWING IS THE PROPERTY OF BRIGADE ELECTRONICS, AND IS DISCLOSED IN CONFIDENCE. IT IS NOT TO BE COPIED, REPRODUCED, REVEALED TO OR EXPROPRIATED BY OTHERS, EITHER IN WHOLE OR IN PART WITHOUT THE EXPRESS WRITTEN CONSENT OF BRIGADE ELECTRONICS.

Sheet 2 of 2	Assembly Pl Approval W.XIA (16/07/2024)	Approved by A.KEBEDE	Checked by S.LAWAL	Drawn by J.YU
Customer Approval N/A	Angle of Projection 	Units mm	Scale N/A	Released 23/08/2024
Status RELEASED		Assembly Ref VBV-711XC		
Part No VARIOUS		BE-004934-02-24		

**Brigade**  
brigade-electronics.com

Third Angle